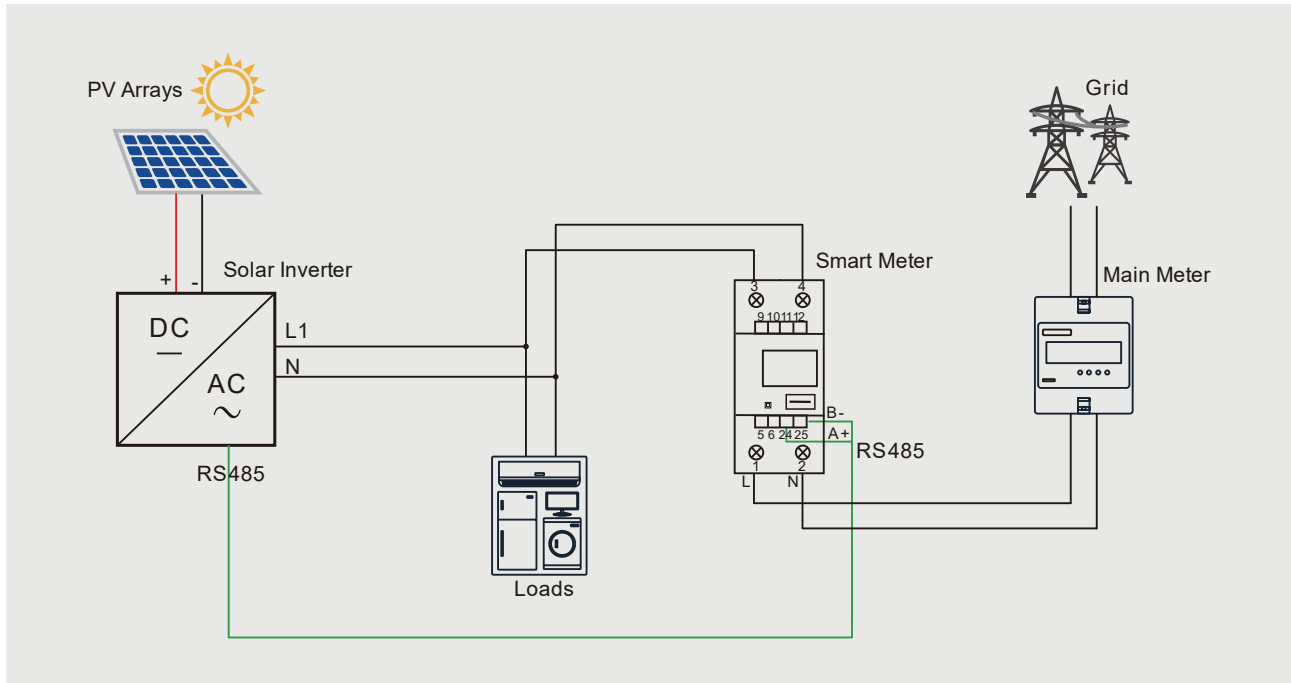


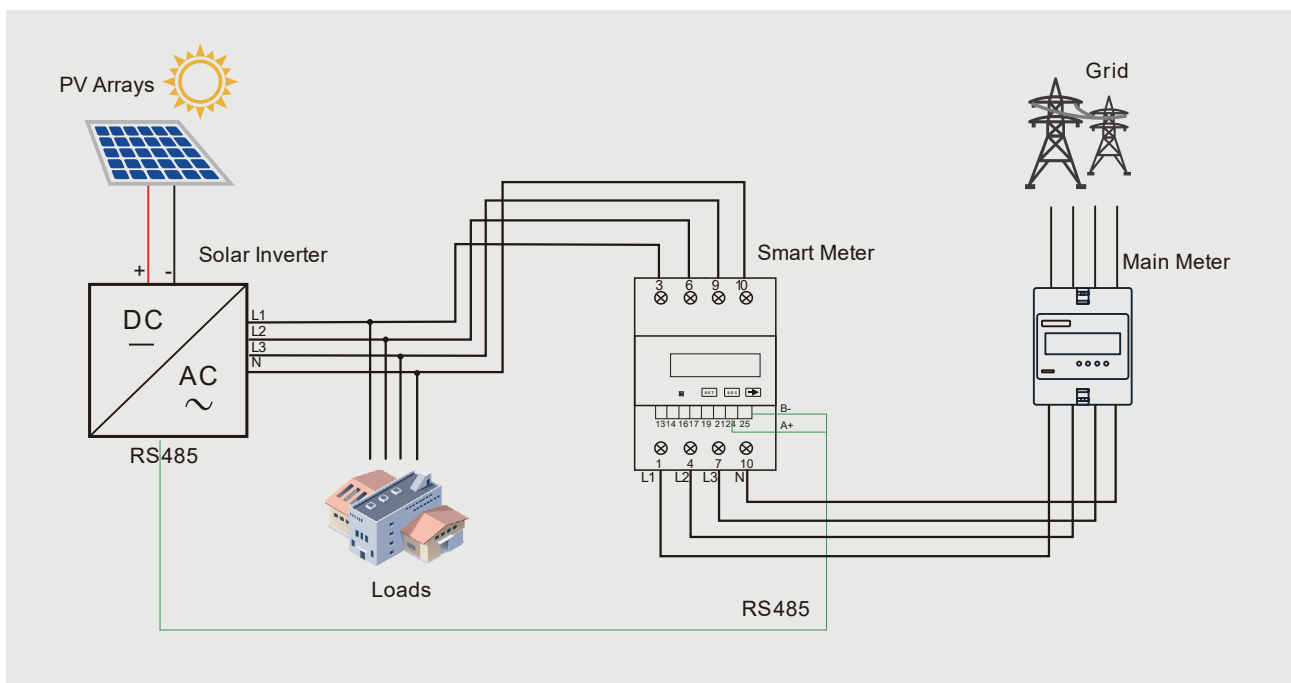
Zero Export Solution



Zero export solution aims to prevent solar systems from exporting excess power into grid, to ensure the quality and waveform of voltage subject to standards of local authorities. SAJ provides zero export solution to meet emerging technical requirements and various applications on sites.



Smart meter measures and calculates the system electrical parameters and interacts with inverter for energy management and zero export control purpose.



Smart Meters



Wi-Fi monitoring & export limitation



Plug-in connection
RS485 wired communication



Zero-export & real-time adjustment



App available
real-time monitoring



Remote control support

Model	DDSU666	DTSU666
Electrical parameters		
Application	Single phase	Three phase
Nominal voltage [V]	220,230,240	3×220/380
Operating range	0.7~1.2 Un	0.7~1.2 Un
Max. current [A]	80	80
Frequency/Range [Hz]	50,60/±5	50,60/±5
Power consumption [W]	≤1	≤1
Max. instant consumption [VA]	≤5	≤5
General parameters		
Display	LCD	LCD
Communication	RS485	RS485
Operating temperature range	-40°C~60°C	-40°C~60°C
Ambient humidity	0-95% Non-condensing	0-95% Non-condensing
Ingress protection	IP54	IP54
Installation method	mounting rack	mounting rack
Dimensions [H*W*D][mm]	98*36*65	98*72*65
Weight [g]	200	400
Applicable standard	CE, ROHS	CE, ROHS

Both internal CT meter and external CT are available